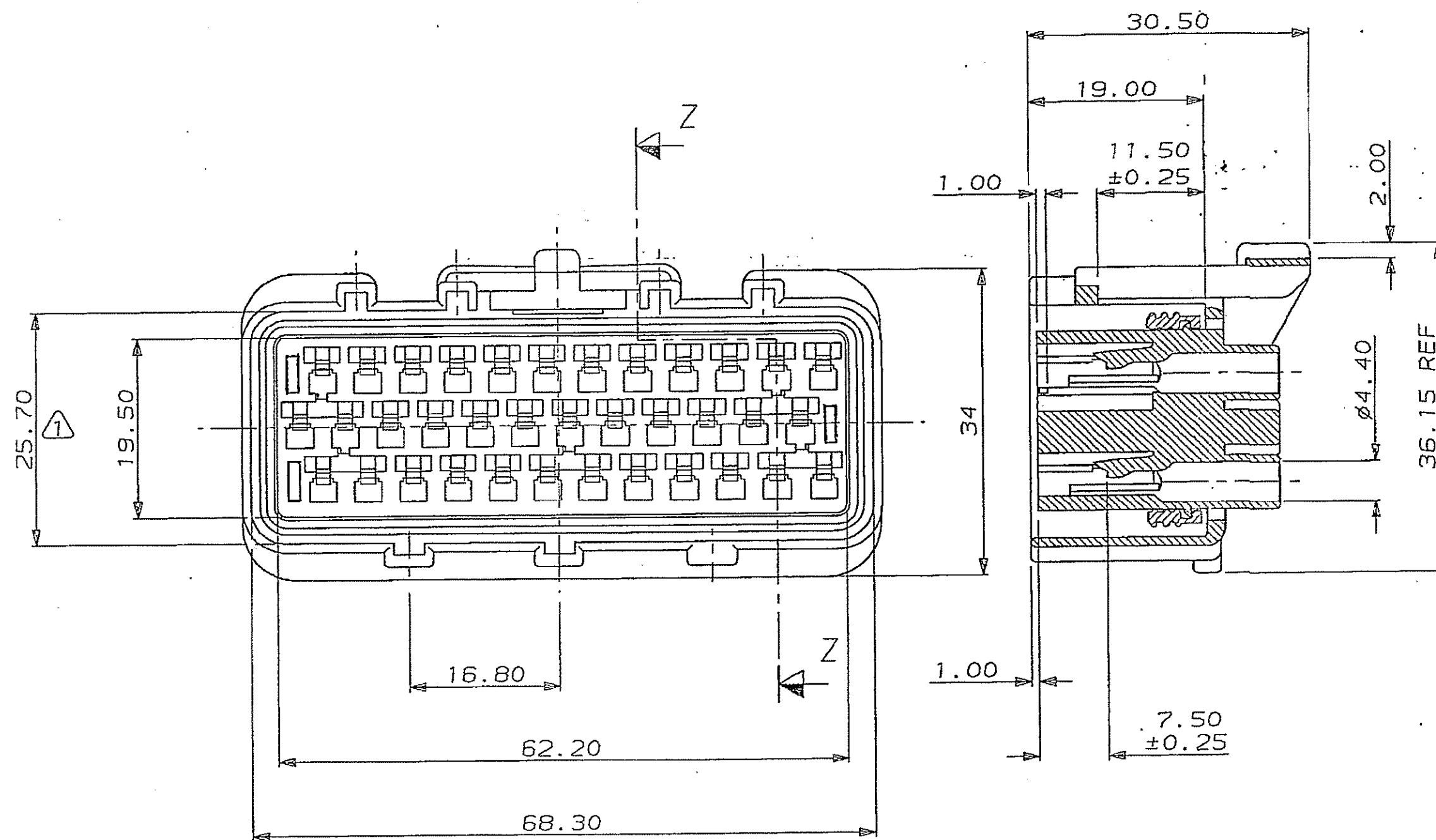
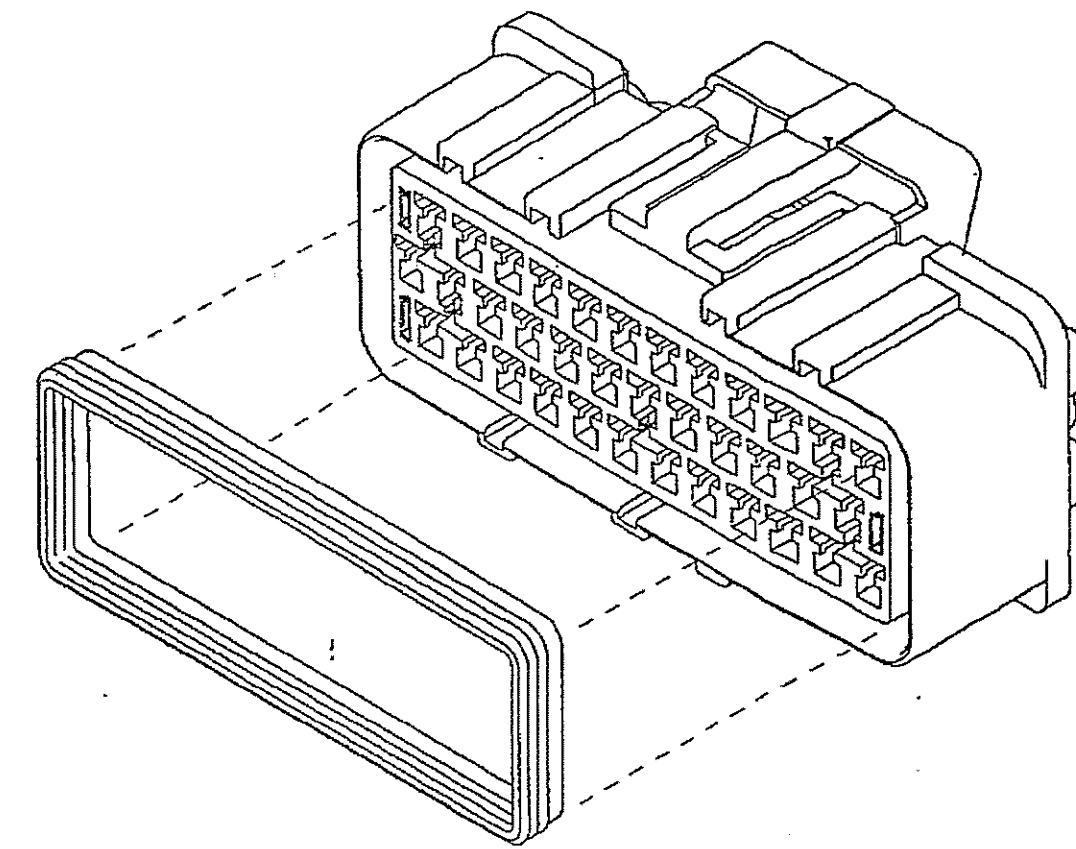
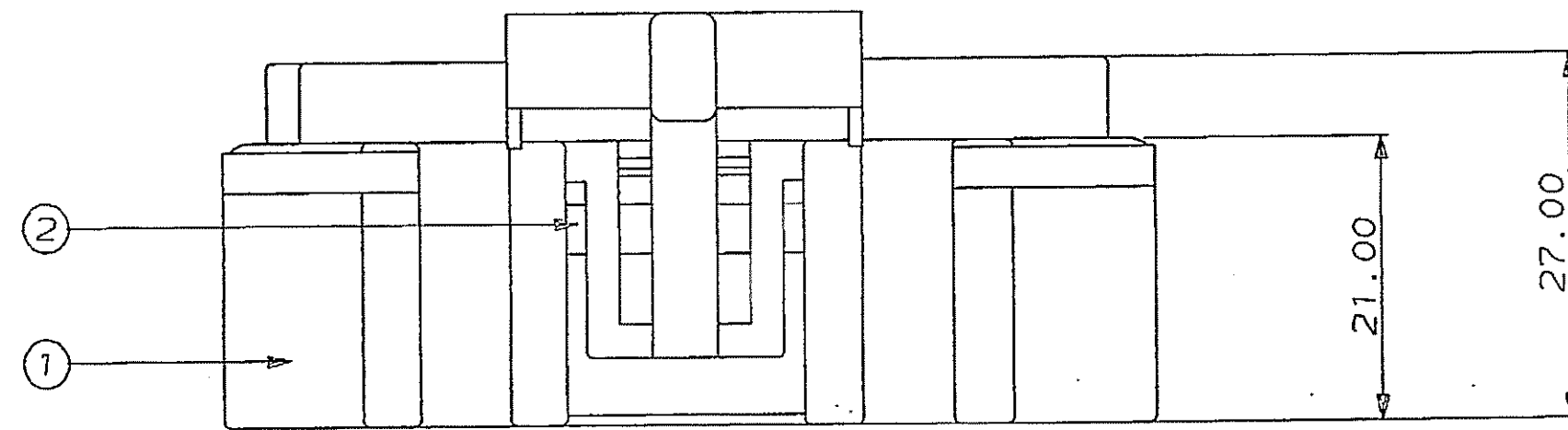
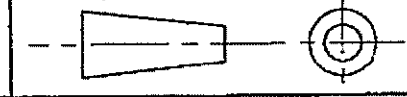


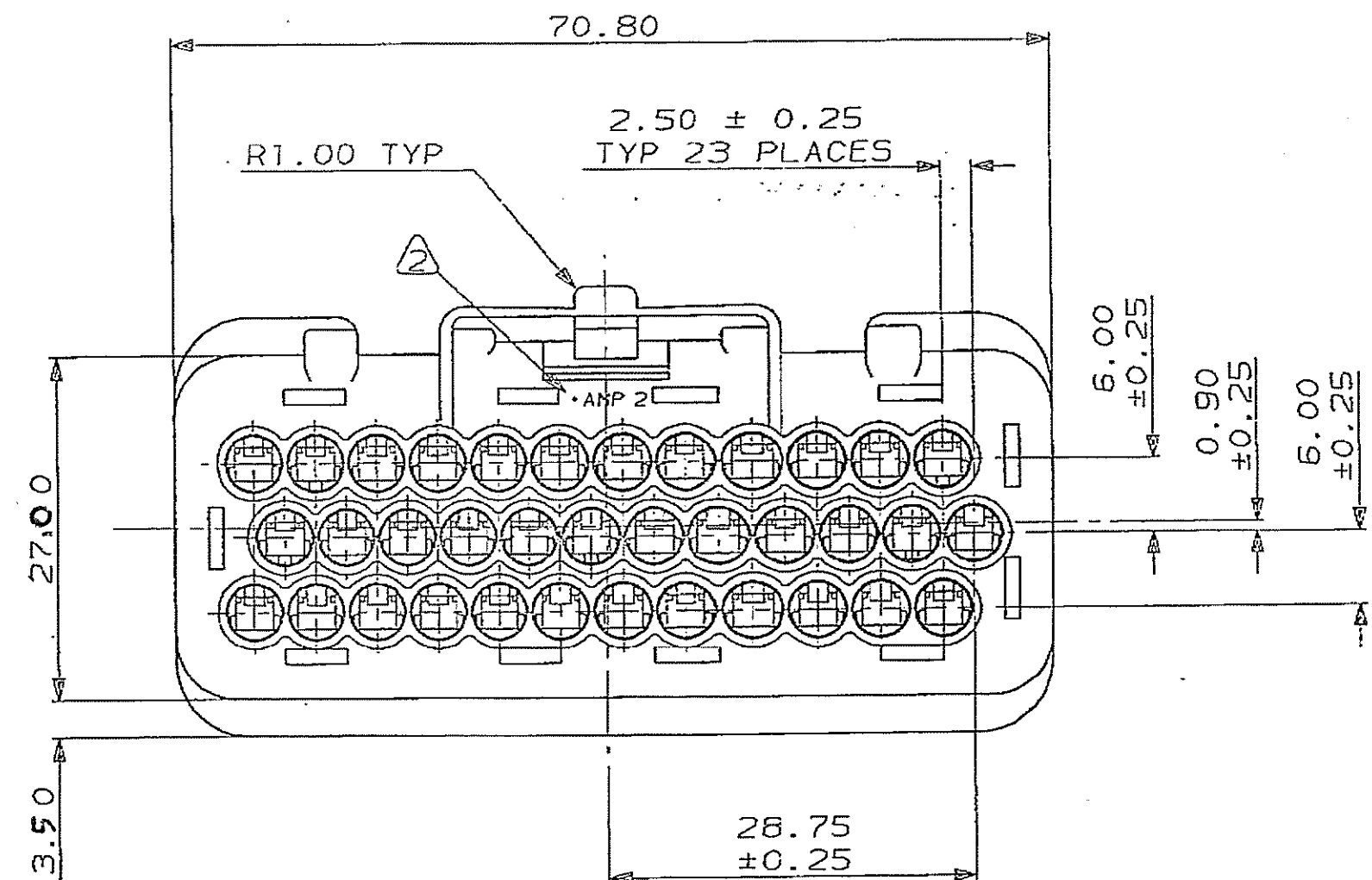
C.A.D. FILE CODE
S. C344111.J

DO NOT SCALE

DIMENSIONS IN MM.



SECTION Z-Z



NOTES:

- THIS DIM. TO APPLY AT THE CORNERS OF THE SHROUD. AT THE POINT OF MAXIMUM BOW, THIS DIM. IS TO BE 23.60 MIN. THIS IS A CONTROL DIM. MONITORED AT AMP.
- AMP STAMP, DOT CODE & IMPRESSION NUMBER

2	SILICONE RUBBER	ORANGE	PERIPHERAL SEAL	1	344111-1
1	NYLON 66	BLACK	36 WAY REC. HSG.	1	
ITEM No.	MATERIAL	COLOUR	DESCRIPTION	QTY. PER ASSY.	ASSEMBLY PART No.

CUSTOMER DWG				FOR REFERENCE ONLY	
H	CORING ADDED	E800-0153-97	13.4.97	COPYRIGHT 1987 BY AMP OF GREAT BRITAIN LTD. RELEASED FOR PUBLICATION 23-6-87	
G	PERIPHERAL SEAL -AS NEOPRENE	E800-0153-85	18.4.95	ALL INTERNATIONAL RIGHTS RESERVED. ALL PRODUCTS MAY BE COVERED BY BRITISH AND FOREIGN PATENTS AND/OR PATENTS PENDING.	
F	* PALMER	C6313	25/3/92	TOLERANCES UNLESS OTHERWISE STATED	DR. Mick Wade 23-6-87
E	RIB ADDED	C6218	9.6.92	DEC ± 0.5	CH. R. J. S. APP. R. J. S.
D	FLANGES ADDED (SEE DIMENSION 244.3)	C5945	7.11.91	ANGLES ± 1°	AMP TERMINAL HOUSE STANMORE MIDDX.
C	EDITORIAL CHANGE STEP TAPERED	C5362	15-09-89	NAME	
B	EDITORIAL CHANGE DIMENSION HOLE ADDED	C5278	22-05-89	36 WAY RECEPTACLE HOUSING ASSY. FOR ECONOSEAL 3 (WIRE TO BOARD)	
A	ADDED FINGER GRIPS	C5132	18-01-89	SCALE	LOC
REV	APPROVED	ECN	DATE	2/1	E A2
				DWG. No.	C344111
				REV	J
				SHEET	1/1